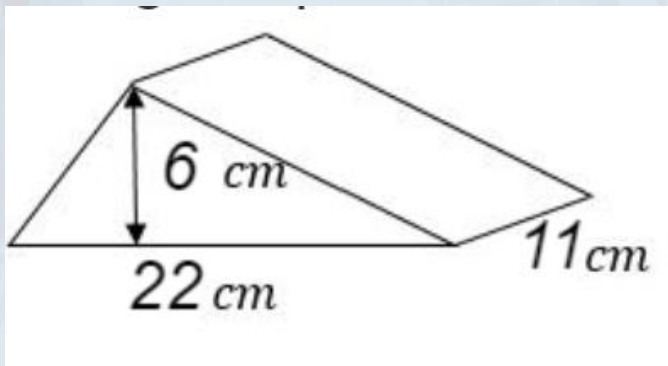


Calculate the volume of the following triangular prism.



1. 722cm^3
2. 724cm^3
3. 726cm^3
4. 728cm^3



07497 277696



www.mrjamesmathstuition.co.uk



info@mrjamesmathstuition.co.uk



www.facebook.com/mrjamesmathstuition/



[mrjamesmathstuition](https://www.instagram.com/mrjamesmathstuition)



[@mrjamestuition](https://twitter.com/mrjamestuition)