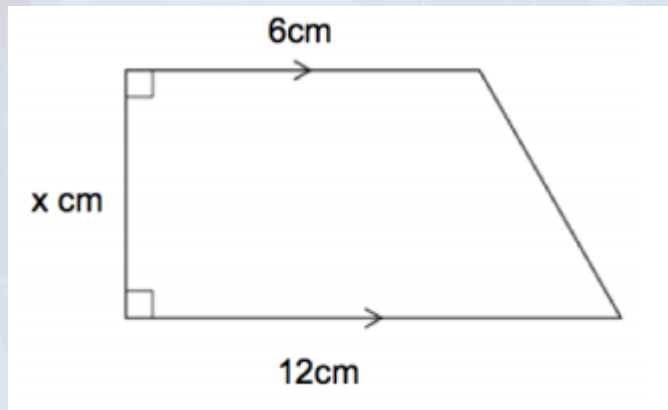


Calculate the value of x.



1. 5cm
2. 7cm
3. 9cm
4. 11cm



07497 277696



www.mrjamesmathstuition.co.uk



info@mrjamesmathstuition.co.uk



www.facebook.com/mrjamesmathstuition/



[mrjamesmathstuition](https://www.instagram.com/mrjamesmathstuition)



[@mrjamestuition](https://twitter.com/mrjamestuition)