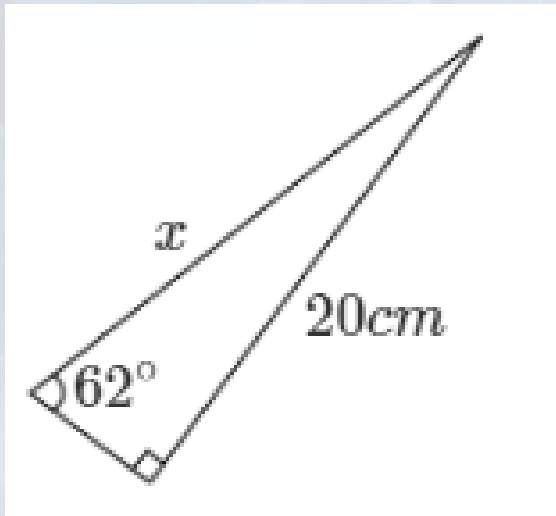


# Calculate the value of $x$ .



1. 21.04
2. 22.65
3. 23.75
4. 24.12



07497 277696



[www.mrjamesmathstuition.co.uk](http://www.mrjamesmathstuition.co.uk)



[info@mrjamesmathstuition.co.uk](mailto:info@mrjamesmathstuition.co.uk)



[www.facebook.com/mrjamesmathstuition/](https://www.facebook.com/mrjamesmathstuition/)



[mrjamesmathstuition](https://www.instagram.com/mrjamesmathstuition)



[@mrjamestuition](https://twitter.com/mrjamestuition)