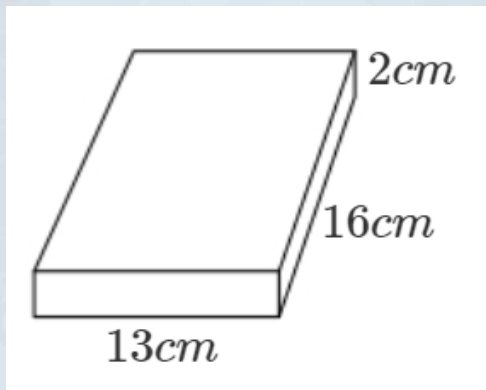


Calculate the volume of the following cuboid.



1. 212 cm³
2. 313 cm³
3. 416 cm³
4. 502 cm³



07497 277696



www.mrjamesmathstuition.co.uk



info@mrjamesmathstuition.co.uk



www.facebook.com/mrjamesmathstuition/



[mrjamesmathstuition](https://www.instagram.com/mrjamesmathstuition)



[@mrjamestuition](https://twitter.com/mrjamestuition)