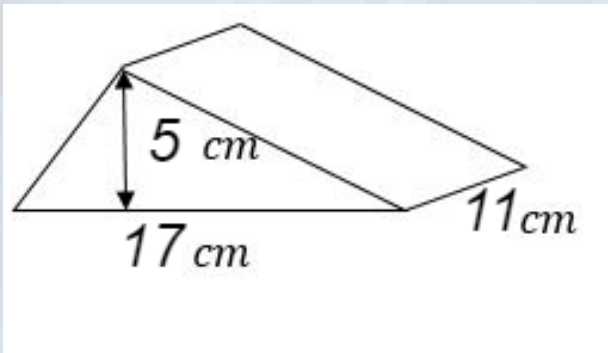


# Calculate the volume of the triangular prism.



1.  $345.2\text{cm}^3$
2.  $375.6\text{cm}^3$
3.  $422.9\text{cm}^3$
4.  $467.5\text{cm}^3$



07497 277696



[www.mrjamesmathstuition.co.uk](http://www.mrjamesmathstuition.co.uk)



[info@mrjamesmathstuition.co.uk](mailto:info@mrjamesmathstuition.co.uk)



[www.facebook.com/mrjamesmathstuition/](https://www.facebook.com/mrjamesmathstuition/)



[mrjamesmathstuition](https://www.instagram.com/mrjamesmathstuition)



[@mrjamestuition](https://twitter.com/mrjamestuition)