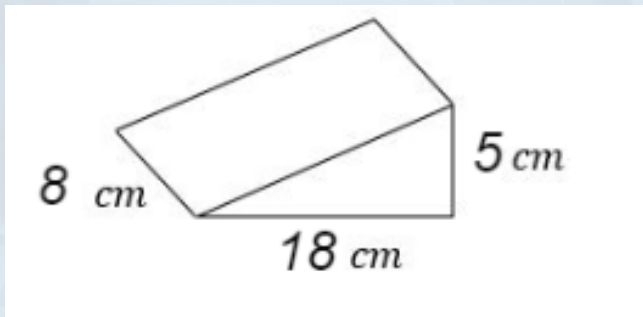


# Calculate the volume of the following shape.



1. **225cm<sup>3</sup>**
2. **360cm<sup>3</sup>**
3. **409cm<sup>3</sup>**
4. **570cm<sup>3</sup>**



07497 277696



[www.mrjamesmathstuition.co.uk](http://www.mrjamesmathstuition.co.uk)



[info@mrjamesmathstuition.co.uk](mailto:info@mrjamesmathstuition.co.uk)



[www.facebook.com/mrjamesmathstuition/](https://www.facebook.com/mrjamesmathstuition/)



[mrjamesmathstuition](https://www.instagram.com/mrjamesmathstuition)



[@mrjamestuition](https://twitter.com/mrjamestuition)