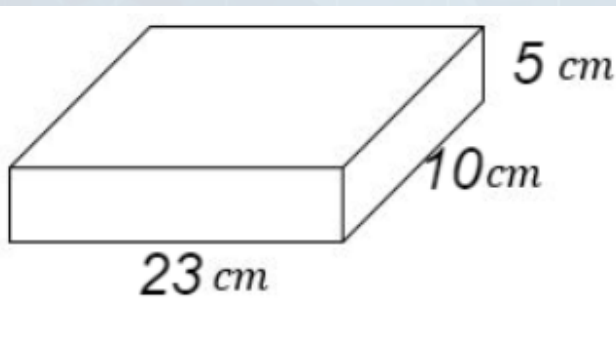


Calculate the surface area of the following cuboid.



1. **662cm²**
2. **709cm²**
3. **822cm²**
4. **908.66cm²**



07497 277696



www.mrjamesmathstuition.co.uk



info@mrjamesmathstuition.co.uk



www.facebook.com/mrjamesmathstuition/



[mrjamesmathstuition](https://www.instagram.com/mrjamesmathstuition)



[@mrjamestuition](https://twitter.com/mrjamestuition)