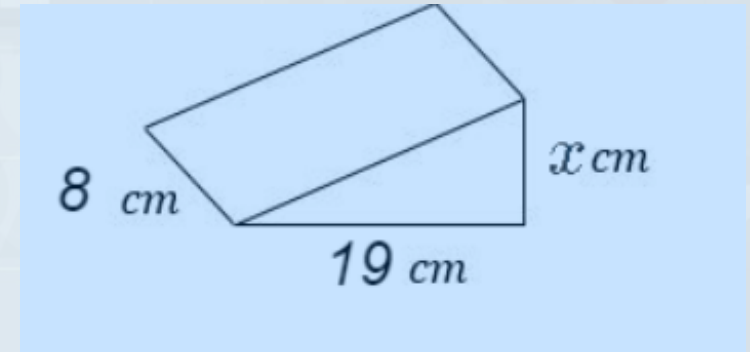


If the volume of the triangular prism is 304 cm^3 . What is the value of x ?

1. 2cm
2. 3cm
3. 4cm
4. 5cm



07497 277696



www.mrjamesmathstuition.co.uk



info@mrjamesmathstuition.co.uk



www.facebook.com/mrjamesmathstuition/



[mrjamesmathstuition](https://www.instagram.com/mrjamesmathstuition)



[@mrjamestuition](https://twitter.com/mrjamestuition)